

**CONFEDERATION'S LOGO**

**ZONAL TOUR / EVENTS  
HOMOLOGATION 2014**



To homologate a Zonal Tour / Events, the Continental Confederation concerned will forward the form to the FIVB 30 days prior to the start of the respective first event. By submitting this form to the FIVB the Confederation adheres to the below listed requirements:

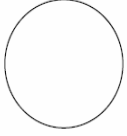
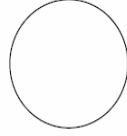
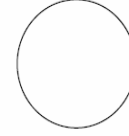
MINIMUM REQUIREMENTS
No limitation as to the maximum number of events per Zonal Association, but only a maximum of five (5) Zonal Events can be recognized to benefit from the FIVB World Ranking points
Each Confederation sets the conditions for sanctioning Zonal Tour including the five (5) Zonal Events which will benefit of the FIVB World Ranking points (see above)
Minimum 3 participating countries regardless the total number of participating teams
Enforcement of the official 2013-2016 FIVB Rules of the Games
Ball – Homologated ball by the FIVB / Confederations
Use of the BVIS
FIVB Ranking points GRANTED upon entering events, participating teams, and results through the BVIS on the last day of each FIVB recognized event

If FIVB homologation is granted, the form duly signed and sealed will be returned to the Continental Confederation. The Confederation will then be responsible for registering such events on the Beach Volleyball Information System (BVIS) to comply with the athlete Olympic eligibility requirements.

<b>CONFEDERATION</b>	<b>ZONAL ASSOCIATION</b>
<b>CONTINENTAL CONFEDERATION</b>	<b>ZONAL ASSOCIATION</b>
<b>TOUR'S TITLE</b>	
<b>ZONAL TOUR'S TITLE</b>	

Dates	Place	Gender	Prize Money / USD or €
1.			
2.			
3.			
4.			
5.			

<b>ZONAL ASSOCIATION</b>	<b>CONTINENTAL CONFEDERATION</b>	<b>FIVB</b>
--------------------------	----------------------------------	-------------

_____ <i>Signature &amp; Seal</i>  _____ <i>Date &amp; Place</i>	_____ <i>Signature &amp; Seal</i>  _____ <i>Date &amp; Place</i>	_____ <i>Signature &amp; Seal</i>  _____ <i>Date &amp; Place</i>
---	---	---