



BULLETIN 2

The 14th Samila-Chang
Asian Beach Volleyball Tour
Samila Open
April 14–16, 2013



MATCH SCHEDULE
The 14th Samila-Chang Asian Beach Tour–Samila Open
April 14 – 16,2013

April 15,2013

Time	Court 1	Court 2	Court 3	Court 4	Court 5
0800	W # 20	W # 18	W # 19	W # 17	
	THA 2 - SRI 1	JPN 2 - KAZ 2	NZL 1 - VIE 1	THA 1 - HKG 2	-
0850	W # 22	W # 23	W # 21	W # 24	
	THA 3 - JPN 1	INA - AUS 2	AUS 1 - VIE 2	KAZ 1 - HKG 2	
0940	M # 34	M # 32	M # 31	M # 33	
	THA 2 - KAZ 2	CHN - THA 3	KAZ 1 - NZL 2	INA 1 SRI 1	
1030	M # 35	M # 37	M # 38	M # 36	
	THA 1 - JPN 1	OMA 1 - AUS 2	AUS 1 - INA 2	NZL 1 - MAS 1	
1430	W# 9/13	W# 9/13	W# 9/13	W# 9/13	
	-	-	-	-	
1520	M# 9/13	M# 9/13	M# 9/13	M# 9/13	
	-	-	-	-	
1610	W #QF	W #QF	(W #QF)	(W #QF)	
	-	-	-	-	
1700	M #OF	M #QF	(M #QF)	(M #QF)	
	-	-	-	-	

The 14th Samila-Chang Asian Beach Tour - Samila Open

April, 14-16 2013 Samila Beach, Songkhla, Thailand

Women's Team

MATCH	Round	Pool	Date	Team "A"		VS	Team "B"		SCORE	DURATION
1	Pre	E	14 April 13	MAS	Hsi Theng T. / Yan Ni O.	VS	HKG 1	WONG Yuen Mei/NG Tin Lai	2:0 (15:9,15:5)	19
2	Pre	F	14 April 13	SRI 2	WARNAKULASOORIYA/BATUWANGALA ACHARIGE	VS	JPN 1	NISHIBORI/MIZOE	1:2 (16:14,13:15,6:11)	40
3	Pre	G	14 April 13	VIE 2	NGO/TRAN	VS	INA	JULIANA/UTAMI	0:2 (8:15,8:15)	19
4	Pre	H	14 April 13	IND	KARRI/JAYARAMAN	VS	AUS 2	ARTACHO DEL SOLAR/NGAUAMO	0:2 (8:15,17:19)	28
5	Pre	E	14 April 13	HKG 1	WONG Yuen Mei/NG Tin Lai	VS	NZL 1	TILLEY/POLLEY	0:2 (11:15,12:15)	33
6	Pre	F	14 April 13	JPN 1	NISHIBORI/MIZOE	VS	KAZ 2	SAMALIKOVA/BOGATU	2:1 (15:11,7:15,11:9)	32
7	Pre	C	14 April 13	INA	JULIANA/UTAMI	VS	SIN	SAI /HUANG Zi Hui	2:0 (15:10,15:11)	27
8	Pre	H	14 April 13	AUS 2	ARTACHO DEL SOLAR/NGAUAMO	VS	JPN2	KUSANO/OZAKI	1:2 (14:16,15:13,6:11)	40
9	Pre	E	14 April 13	NZL 1	TILLEY/POLLEY	VS	MAS	Hsi Theng T. / Yan Ni O.	2:0 (15:10,15:12)	23
10	Pre	F	14 April 13	KAZ 2	SAMALIKOVA/BOGATU	VS	SRI 2	WARNAKULASOORIYA/BATUWANGALA ACHARIGE	2:0 (15:5,15:6)	18
11	Pre	G	14 April 13	SIN	SAI /HUANG Zi Hui	VS	VIE 2	NGO/TRAN	1:2 (8:15,15:13,8:11)	37
12	Pre	H	14 April 13	JPN 2	KUSANO/OZAKI	VS	IND	KARRI/JAYARAMAN	2:0 (15:10,15:11)	29
13	Pre	A	14 April 13	THA 1	UDOMCHAVEE/RADARONG	VS	VIE 1	TRUONG/NGUYEN	2:0 (15:13,15:11)	34
14	Pre	B	14 April 13	KAZ 1	MASHKOVA/TSIMBALOVA	VS	THA 3	NUMWONG/HONGPAK	2:0 (15:11,15:12)	27
15	Pre	C	14 April 13	AUS 1	BAWDEN/CLANCY	VS	SRI 1	JİYAMAHA HITIHAMILAGE/KUDA KOTTUNNAGE	2:0 (15:2,15:9)	16
16	Pre	D	14 April 13	THA 2	SANNOK/TENPAKSEE	VS	HKG 2	LO Wai Yan/YEUNG Yeuk Mei	2:0 (15:6,15:9)	24
17	I	-	15 April 13	THA 1	UDOMCHAVEE/RADARONG	VS	HKG 1	WONG Yuen Mei/NG Tin Lai		
18	I	-	15 April 13	JPN 2	KUSANO/OZAKI	VS	KAZ 2	SAMALIKOVA/BOGATU		
19	I	-	15 April 13	NZL 1	TILLEY/POLLEY	VS	VIE 1	TRUONG/NGUYEN		
20	I	-	15 April 13	THA 2	SANNOK/TENPAKSEE	VS	SRI 1	JİYAMAHA HITIHAMILAGE/KUDA KOTTUNNAGE		
21	I	-	15 April 13	AUS 1	BAWDEN/CLANCY	VS	VIE 2	NGO/TRAN		
22	I	-	15 April 13	JPN 1	NISHIBORI/MIZOE	VS	THA 3	NUMWONG/HONGPAK		
23	I	-	15 April 13	INA	JULIANA/UTAMI	VS	AUS 2	ARTACHO DEL SOLAR/NGAUAMO		
24	I	-	15 April 13	KAZ 1	MASHKOVA/TSIMBALOVA	VS	HKG 2	LO Wai Yan/YEUNG Yeuk Mei		
25	QF	-	15 April 13		W# 17	VS		W# 18		
26	QF	-	15 April 13		W# 19	VS		W# 20		
27	QF	-	15 April 13		W# 21	VS		W# 22		
28	QF	-	15 April 13		W# 23	VS		W# 24		
29	Rank 9	-	15 April 13		L# 17	VS		L# 18		

The 14th Samila-Chang Asian Beach Tour - Samila Open

April, 14-16 2013 Samila Beach, Songkhla, Thailand

Women's Team

MATCH	Round	Pool	Date	Team "A"		VS	Team "B"		SCORE	DURATION
30	Rank 9	-	15 April 13		L# 19	VS		L# 20		
31	Rank 9	-	15 April 13		L# 21	VS		L# 22		
32	Rank 9	-	15 April 13		L# 23	VS		L# 24		
33	Rank 5	-	16 April 13		L# 25	VS		L# 26		
34	Rank 5	-	16 April 13		L# 27	VS		L# 28		
35	Semi	-	16 April 13		W# 25	VS		W# 26		
36	Semi	-	16 April 13		W# 27	VS		W# 28		
37	F 3/4	-	16 April 13		L# 35	VS		L# 36		
38	F1/2	-	16 April 13		W# 35	VS		W# 36		

The 14th Samila-Chang Asian Beach Tour–Samila Open

Pool A

Women's Team

Team	THA 1				Points	VIE 1				Points					Points	Total Points	Win set	Losing set	W.S/L.S	win Points	los Points	W.p/L.p	RANK T. Points
	set1	set2	set3	t.set		set1	set2	set3	t.set		set1	set2	set3	t.set									
THA 1	A				1	15	15		2	2				0	0	2	2	0	#DIV/0!	30	24	1.250	1
						13	11		0					0									
VIE 1	13	11	0	0	1	V				0				0	0	1	0	2	0.00	24	30	0.800	2
	15	15	0	2										0									
	0	0	0	0	0	C				0													
	0	0	0	0																			

Pool B

Team	KAZ 1				Points	THA 3				Points					Points	Total Points	Win set	Losing set	W.S/L.S	win Points	los Points	W.p/L.p	RANK T. Points
	set1	set2	set3	t.set		set1	set2	set3	t.set		set1	set2	set3	t.set									
KAZ 1	A				1	15	15		2	2				0	0	2	2	0	#DIV/0!	30	23	1.304	1
						11	12		0					0									
THA 3	11	12	0	0	1	V				0				0	0	1	0	2	0.00	23	30	0.767	2
	15	15	0	2										0									
	0	0	0	0	0	C				0													
	0	0	0	0																			

Pool C

Team	AUS 1				Points	SRI 1				Points					Points	Total Points	Win set	Losing set	W.S/L.S	win Points	los Points	W.p/L.p	RANK T. Points
	set1	set2	set3	t.set		set1	set2	set3	t.set		set1	set2	set3	t.set									
AUS 1	A				1	15	15		2	2				0	0	2	2	0	#DIV/0!	30	11	2.727	1
						2	9		0					0									
SRI 1	2	9	0	0	1	V				0				0	0	1	0	2	0.00	11	30	0.367	2
	15	15	0	2										0									
	0	0	0	0	0	C				0													
	0	0	0	0																			

Pool D

Team	THA 2				Points	HKG 2				Points					Points	Total Points	Win set	Losing set	W.S/L.S	win Points	los Points	W.p/L.p	RANK T. Points
	set1	set2	set3	t.set		set1	set2	set3	t.set		set1	set2	set3	t.set									
THA 2	A				1	15	15		2	2				0	0	2	2	0	#DIV/0!	30	15	2.000	1
						6	9		0					0									
HKG 2	6	9	0	0	1	V				0				0	0	1	0	2	0.00	15	30	0.500	2
	15	15	0	2										0									
	0	0	0	0	0	C				0													
	0	0	0	0																			

The 14th Samila-Chang Asian Beach Tour–Samila Open

Pool E

Women's Team

Team	HKG 1				Points	NZL 1				Points	MAS				Points	Total Points	Win set	Losing set	W.S/L.S	win Points	los Points	W.p/L.p	RANK T. Points
	set1	set2	set3	t.set		set1	set2	set3	t.set		set1	set2	set3	t.set									
HKG 1	A				2	11	12		0	1	15	15		2	2	3	2	2	1.00	53	44	1.205	2
						15	15		2		9	5		0									
NZL 1	15	15	0	2	2	V				15	15		2	2	4	4	0	#DIV/0!	60	45	1.333	1	
	11	12	0	0						10	12		0										
MAS	9	5	0	0	1	10	12	0	0	1	C				2	0	4	0.00	36	60	0.600	3	
	15	15	0	2		15	15	0	2														

Pool F

Team	JPN 1				Points	KAZ 2				Points	SRI 2				Points	Total Points	Win set	Losing set	W.S/L.S	win Points	los Points	W.p/L.p	RANK T. Points
	set1	set2	set3	t.set		set1	set2	set3	t.set		set1	set2	set3	t.set									
JPN 1	A				2	15	7	11	2	2	14	15	11	2	2	4	4	2	2.00	73	70	1.043	1
						11	15	9	1		16	13	6	1									
KAZ 2	11	15	9	1	1	V				15	15		2	2	3	3	2	1.50	65	44	1.477	2	
	15	7	11	2						5	6		0										
SRI 2	16	13	6	1	1	5	6	0	0	1	C				2	1	4	0.25	46	70	0.657	3	
	14	15	11	2		15	15	0	2														

Pool G

Team	INA				Points	SIN				Points	VIE 2				Points	Total Points	Win set	Losing set	W.S/L.S	win Points	los Points	W.p/L.p	RANK T. Points
	set1	set2	set3	t.set		set1	set2	set3	t.set		set1	set2	set3	t.set									
INA	A				2	15	15		2	2	15	15		2	2	4	4	0	#DIV/0!	60	37	1.622	1
						10	11		0		8	8		0									
SIN	10	11	0	0	1	V				8	15	8	1	1	2	1	4	0.25	52	69	0.754	3	
	15	15	0	2						15	13	11	2										
VIE 2	8	8	0	0	1	15	13	11	2	2	C				3	2	3	0.67	55	61	0.902	2	
	15	15	0	2		8	15	8	1														

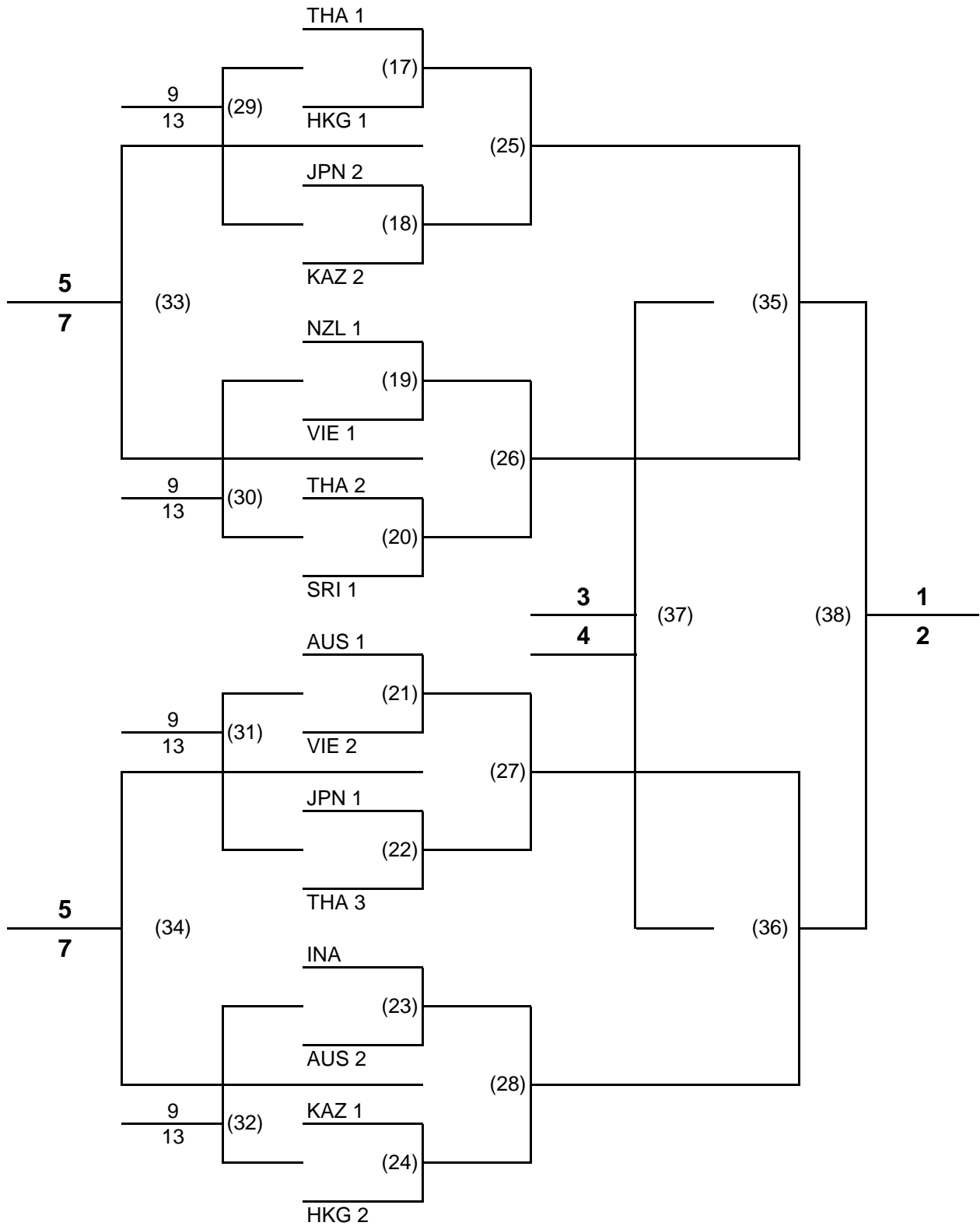
Pool H

Team	AUS 2				Points	JPN 2				Points	IND				Points	Total Points	Win set	Losing set	W.S/L.S	win Points	los Points	W.p/L.p	RANK T. Points
	set1	set2	set3	t.set		set1	set2	set3	t.set		set1	set2	set3	t.set									
AUS 2	A				1	14	15	6	1	1	15	19		2	2	3	3	2	1.50	69	65	1.062	2
						16	13	11	2		8	17		0									
JPN 2	16	13	11	2	2	V				15	15		2	2	4	4	1	4.00	70	56	1.250	1	
	14	15	6	1						10	11		0										
IND	8	17	0	0	1	10	11	0	0	1	C				2	0	4	0.00	46	64	0.719	3	
	15	19	0	2		15	15	0	2														

The 14th Samila-Chang Asian Beach Tour - Samila Open

April 14 – 16, 2013

Women's Team



The 14th Samila-Chang Asian Beach Tour - Samila Open

April, 14-16 2013 Samila Beach, Songkhla, Thailand

Men's Team

MATCH	Round	Pool	Date	Team "A"		VS	Team "B"		SCORE	DURATION
1	Pre	A	14 April 13	KAZ 1	DYACHENKO/SIDORENKO	VS	JPN 2	HATA/NAKAYA	2:0 (15:8,15:8)	21
2	Pre	B	14 April 13	AUS 1	KAPA ISAAC / MCHUGH	VS	VIE 2	NGUYEN Ngoc Quy/BUI Hai Dang	2:0 (15:8,15:7)	23
3	Pre	C	14 April 13	THA 1	SITTICHAJ/ PRATHIP	VS	SRI 2	Rathnapala/Ashen	2:0 (15:8,15:13)	24
4	Pre	D	14 April 13	KAZ 2	YAKOVLEV/KULESHOV	VS	IND 1	RAJU/NARESH	2:0 (15:12,15:12)	20
5	Pre	E	14 April 13	INA 1	CANDRA/FAHRIANSYAH	VS	THA 3	PADSAWUD/HANARSA	2:0 (15:7,15:12)	22
6	Pre	F	14 April 13	NZL 1	O'DEA Ben/LOCHHEAD	VS	THA 2	NAKPRAKONG / SUKARAYOTIN	2:0 (15:3,15:9)	21
7	Pre	G	14 April 13	OMA 1	HAITHEM / AL SUBHI	VS	HKG	YU Hing Lung/ CHUI KAM LUNG	2:0 (16:14,15:7)	20
8	Pre	G	14 April 13	MAS 2	Mohd Faiz Putra A. / Nik Irwan Z.	VS	INA 2	SANTOSA/BASTOMI	0:2 (13:15,10:15)	29
9	Pre	H	14 April 13	OMA 2	HASSAN/AHMED	VS	CHN	LI Lei/GONG Houcai	1:2 (13:15,15:13,14:16)	43
10	Pre	H	14 April 13	IND 2	DHAMODHARAN/MADHUSUDHANAN	VS	NZL 2	O'DEA Sam/HEATH	0:2 (8:15,3:15)	20
11	Pre	A	14 April 13	KAZ 1	DYACHENKO/SIDORENKO	VS	SRI 1	Pubudu/Pradeep	2:0 (15:11,15:13)	29
12	Pre	B	14 April 13	AUS 1	KAPA ISAAC / MCHUGH	VS	JPN 1	HASEGAWA / AGEBA	2:0 (15:9,15:11)	28
13	Pre	C	14 April 13	THA 1	SITTICHAJ/ PRATHIP	VS	AUS 2	BOEHM /DURANT	2:1 (15:13,11:15,11:8)	36
14	Pre	D	14 April 13	KAZ 2	YAKOVLEV/KULESHOV	VS	MAS 1	Rafiasruki N. / Chong Long K.	2:1 (18:16,13:15,11:4)	32
15	Pre	E	14 April 13	INA 1	CANDRA/FAHRIANSYAH	VS	SIN	SOH / ZHUO	2:0 (15:11,15:10)	23
16	Pre	F	14 April 13	NZL 1	O'DEA Ben/LOCHHEAD	VS	VIE 1	NGUYEN Trong Quoc/NGUYEN Thanh Vinh	2:1 (15:11,14:16,11:7)	34
17	Pre	G	14 April 13	OMA1	HAITHEM / AL SUBHI	VS	INA 2	SANTOSA/BASTOMI	2:0 (15:10,16:14)	34
18	Pre	G	14 April 13	MAS 2	Mohd Faiz Putra A. / Nik Irwan Z.	VS	HKG	YU Hing Lung/ CHUI KAM LUNG	2:1 (15:13,12:15,11:4)	35
19	Pre	H	14 April 13	OMA 2	HASSAN/AHMED	VS	NZL 2	O'DEA Sam/HEATH	0:2 (13:15,15:17)	33
20	Pre	H	14 April 13	IND 2	DHAMODHARAN/MADHUSUDHANAN	VS	CHN	LI Lei/GONG Houcai	0:2 (6:15,9:15)	20
21	Pre	A	14 April 13	SRI 1	Pubudu/Pradeep	VS	JPN 2	HATA/NAKAYA	2:1 (11:15,15:11,11:9)	38
22	Pre	B	14 April 13	JPN 1	HASEGAWA / AGEBA	VS	VIE 2	NGUYEN Ngoc Quy/BUI Hai Dang	2:0 (15:12,16:14)	29
23	Pre	C	14 April 13	AUS 2	BOEHM /DURANT	VS	SRI 2	Rathnapala/Ashen	2:0 (15:9,15:13)	23
24	Pre	D	14 April 13	MAS 1	Rafiasruki N. / Chong Long K.	VS	IND 1	RAJU/NARESH	2:0 (15:11,15:9)	24
25	Pre	E	14 April 13	SIN	SOH / ZHUO	VS	THA 3	PADSAWUD/HANARSA	0:2 (11:15,11:15)	27
26	Pre	F	14 April 13	VIE 1	NGUYEN Trong Quoc/NGUYEN Thanh Vinh	VS	THA 2	NAKPRAKONG / SUKARAYOTIN	1:2 (15:12,10:15,7:11)	34
27	Pre	G	14 April 13	OMA 1	HAITHEM / AL SUBHI	VS	MAS 2	Mohd Faiz Putra A. / Nik Irwan Z.	2:0 (15:10,15:12)	24
28	Pre	G	14 April 13	INA 2	SANTOSA/BASTOMI	VS	HKG	YU Hing Lung/ CHUI KAM LUNG	2:0 (15:12,15:11)	28
29	Pre	H	14 April 13	OMA 2	HASSAN/AHMED	VS	IND 2	DHAMODHARAN/MADHUSUDHANAN	2:0 (15:9,15:11)	22
30	Pre	H	14 April 13	NZL 2	O'DEA Sam/HEATH	VS	CHN	LI Lei/GONG Houcai	0:2 (18:20,12:15)	34

The 14th Samila-Chang Asian Beach Tour - Samila Open

April, 14-16 2013 Samila Beach, Songkhla, Thailand

Men's Team

MATCH	Round	Pool	Date	Team "A"		VS	Team "B"		SCORE	DURATION
31	I	-	15 April 13	KAZ 1	DYACHENKO / SIDORENKO	VS	NZL 2	O'DEA Sam/HEATH		
32	I	-	15 April 13	CHN	LI Lei / GONG Houcai	VS	THA 3	PADSAWUD/HANARSA		
33	I	-	15 April 13	INA 1	CANDRA / FAHRIANSYAH	VS	SRI 1	Pubudu/Pradeep		
34	I	-	15 April 13	KAZ 2	YAKOVLEV / KULESHOV	VS	THA 2	NAKPRAKONG / SUKARAYOTIN		
35	I	-	15 April 13	THA 1	SITTICHAJ / PRATHIP	VS	JPN 1	HASEGAWA / AGEBA		
36	I	-	15 April 13	NZL 1	O'DEA Ben / LOCHHEAD	VS	MAS 1	Rafiasruki N. / Chong Long K.		
37	I	-	15 April 13	OMA1	HAITHEM / AL SUBHI	VS	AUS 2	BOEHM / DURANT		
38	I	-	15 April 13	AUS 1	KAPA ISAAC / MCHUGH	VS	INA 2	SANTOSA/BASTOMI		
39	QF	-	15 April 13		W# 31	VS		W# 32		
40	QF	-	15 April 13		W# 33	VS		W# 34		
41	QF	-	15 April 13		W# 35	VS		W# 36		
42	QF	-	15 April 13		W# 37	VS		W# 38		
43	Rank 9	-	15 April 13		L# 31	VS		L# 32		
44	Rank 9	-	15 April 13		L# 33	VS		L# 34		
45	Rank 9	-	15 April 13		L# 35	VS		L# 36		
46	Rank 9	-	15 April 13		L# 37	VS		L# 38		
47	Rank 5	-	16 April 13		L# 39	VS		L# 40		
48	Rank 5	-	16 April 13		L# 41	VS		L# 42		
49	Semi	-	16 April 13		W# 39	VS		W# 40		
50	Semi	-	16 April 13		W# 41	VS		W# 42		
51	F 3/4	-	16 April 13		L# 49	VS		L# 50		
52	F1/2	-	16 April 13		W# 49	VS		W# 50		

The 14th Samila-Chang Asian Beach Tour–Samila Open

Pool E

Men's Team

Team	INA 1				Points	SIN				Points	THA 3				Points	Total Points	Win set	Losing set	W.S/L.S	win Points	los Points	W.p/L.p	RANK T. Points	
	set1	set2	set3	t.set		set1	set2	set3	t.set		set1	set2	set3	t.set										
INA 1	A				2	15	15		2	2	15	15		2	2	0	4	4	0	#DIV/0!	60	40	1.500	1
						11	10		0		7	12		0										
SIN	11	10	0	0	1	V				11	11		0	1	0	2	0	4	0.00	43	60	0.717	3	
	15	15	0	2						15	15		2											
THA 3	7	12	0	0	1	15	15	0	2	2	C				0	3	2	2	1.00	49	52	0.942	2	
	15	15	0	2		11	11	0	0															
	0	0	0	0	0	0	0	0	0	0	0	0	0	0	0	0	0	0	#DIV/0!	0	0	#DIV/0!	4	
	0	0	0	0		0	0	0	0		0	0	0	0										

Pool F

Team	NZL 1				Points	VIE 1				Points	THA 2				Points	Total Points	Win set	Losing set	W.S/L.S	win Points	los Points	W.p/L.p	RANK T. Points	
	set1	set2	set3	t.set		set1	set2	set3	t.set		set1	set2	set3	t.set										
NZL 1	A				2	15	14	11	2	2	15	15		2	2	0	4	4	1	4.00	70	46	1.522	1
						11	16	7	1		3	9		0										
VIE 1	11	16	7	1	1	V				15	10	7	1	1	0	2	2	4	0.50	66	78	0.846	3	
	15	14	11	2						12	15	11	2											
THA 2	3	9	0	0	1	12	15	11	2	2	C				0	3	2	3	0.67	50	62	0.806	2	
	15	15	0	2		15	10	7	1															
	0	0	0	0	0	0	0	0	0	0	0	0	0	0	0	0	0	0	#DIV/0!	0	0	#DIV/0!	4	
	0	0	0	0		0	0	0	0		0	0	0	0										

Pool G

Team	OMA 1				Points	INA 2				Points	HKG				Points	Total Points	Win set	Losing set	W.S/L.S	win Points	los Points	W.p/L.p	RANK T. Points					
	set1	set2	set3	t.set		set1	set2	set3	t.set		set1	set2	set3	t.set														
OMA 1	A				2	15	16		2	2	16	15		2	2	15	15		2	2	6	6	0	#DIV/0!	92	67	1.373	1
						10	14		0		14	7		0		10	12		0									
INA 2	10	14	0	0	1	V				15	15		2	2	15	15		2	2	5	4	2	2.00	84	77	1.091	2	
	15	16	0	2						12	11		0		13	10		0										
HKG	14	7	0	0	1	12	11	0	0	1	C				1	3	1	6	0.17	76	99	0.768	4					
	16	15	0	2		15	15	0	2															15	12	11	2	
MAS 2	10	12	0	0	1	13	10	0	0	1	15	12	11	2	2	4	2	5	0.40	83	92	0.902	3					
	15	15	0	2		15	15	0	2		13	15	4	1														

Pool H

Team	OMA 2				Points	NZL 2				Points	CHN				Points	Total Points	Win set	Losing set	W.S/L.S	win Points	los Points	W.p/L.p	RANK T. Points					
	set1	set2	set3	t.set		set1	set2	set3	t.set		set1	set2	set3	t.set														
OMA 2	A				1	13	15		0	1	13	15	14	1	1	15	15		2	2	4	3	4	0.75	100	96	1.042	3
						15	17		2		15	13	16	2		9	11		0									
NZL 2	15	17	0	2	2	V				18	12		0	1	15	15		2	2	5	4	2	2.00	92	74	1.243	2	
	13	15	0	0						20	15		2		8	3		0										
CHN	15	13	16	2	2	20	15	0	2	2	C				2	6	6	1	6.00	109	87	1.253	1					
	13	15	14	1		18	12	0	0															15	15		2	
IND 2	9	11	0	0	1	8	3	0	0	1	6	9	0	0	1	3	0	6	0.00	46	90	0.511	4					
	15	15	0	2		15	15	0	2		15	15	0	2														

The 14th Samila-Chang Asian Beach Tour - Samila Open

April 14 – 16, 2013

Men's Team

